

**B.E.G.****LUXOMAT®**

## PD4-M-1C-SM

Prod.No. 92580 EAN: 4007529925803

- Voltage: 110 - 240 V AC 50 / 60 Hz
- Dimensions: Ø 98 x 63 mm
- Power consumption: approx. 0.4 W

### Areas of application

- open-plan offices
- conference rooms
- classrooms/seminar rooms
- corridors/hallways

### Order data

Designation	Colour	Art.No
PD4-M-1C-SM	white	92580

### Accessories

Designation	Colour	Art.No
RC-Arc extinction kit	white	10880
Mini-RC-Arc extinction kit		10882
BLE-IR-Adapter	black	93067
IR-PD-1C	-	92520
IR-PD-1C-E	-	92077
IR-PD-Mini	-	92159
Wire basket BSK (Ø 200 x 90 mm)	white	92199
SM socket IP54 for PD2- / PD4-SM	white	92161
Surface mounting socket IP65 for PD4-SM IP20	white	92375
Wall holder PD4-SM	white	92441
Blinds PD4	transparent	92313
Pendulum mounting set PD2/3/4 SM	white	93179

## Technical data

Voltage:	110 – 240 V AC 50 / 60 Hz
Dimensions:	Ø 98 x 63 mm
Power consumption:	approx. 0.4 W
Detection area:	horizontal 360° (Ceiling mounting) max. Ø 24 m across
Range:	max. Ø 8 m towards max. Ø 6.4 m seated
Monitored area (tangential movement):	450 m <sup>2</sup> / 2.5 m mounting height
Mounting height min./max./recommended:	2 m / 10 m / 2.5 m
Degree / class of protection:	IP20 / Class II
Impact strength:	IK04
Ambient temperature:	-25 °C to +50 °C
Housing:	polycarbonate, UV-resistant
Material color:	white mat, similar to RAL9010

### Channel 1 (lighting control, potential-free (dry))

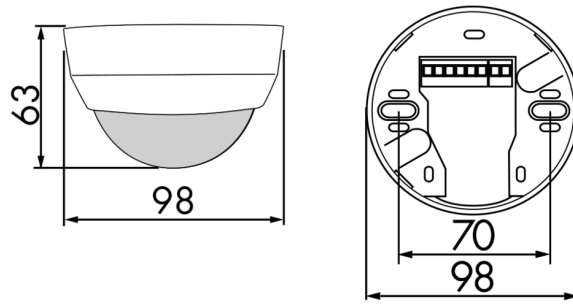
Switching power:	2300 W, $\cos \varphi$ = 1 1150 VA, $\cos \varphi$ = 0.5 800 W LED max. inrush current $I_p$ (20 ms) = 165 A max. inrush current $I_p$ (200 $\mu$ s) = 800 A
Type of contact (k):	1x $\mu$ -contact, dry NO contact with tungsten pre-make contact
Follow-up time:	15 sec – 30 min, Pulse
Switch-on threshold:	10 – 2000 Lux
Light measuring:	Mixed light measuring

## Product information

Occupancy detector with extended detection area
One potential-free (dry) contact
Version as master device
Detection area can be extended by using slave devices
Manual switching via push-button possible
Additional functions can be set up using the optional remote control.
Factory settings 10 min and 500 lux

### Application examples:

open-plan offices, conference rooms, classrooms/seminar rooms, corridors/hallways



## Accessories



**RC-Arc extinction kit**  
Art.No: 10880

Voltage: 230 V AC  $\pm 10\%$   
Dimensions: 38 x 12 x 26 mm  
Degree / class of protection: IP20 / Class II



**Mini-RC-Arc extinction kit**  
Art.No: 10882

Voltage: 230 V AC  $\pm 10\%$   
Dimensions: 50 x 23 x 8 mm  
Degree / class of protection: IP20 / Class II



**BLE-IR-Adapter**  
Art.No: 93067

Dimensions: 40 x 55 x 103 mm  
Material color: black  
Frequency: 2.4 GHz ISM band, GFSK  
0.2 dBm + 5.3 dBi = 5.5 dBm



**IR-PD-1C**  
Art.No: 92520

Battery: 3.0 V Lithium CR2032 (inclusive)  
Dimensions: 80 x 60 x 8 mm  
Material color: -



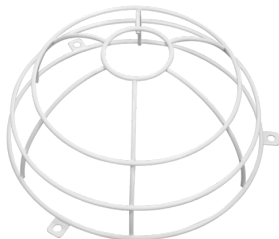
**IR-PD-1C-E**  
Art.No: 92077

Battery: 3.0 V Lithium CR2032 (inclusive)  
Dimensions: 80 x 60 x 8 mm  
Material color: -



**IR-PD-Mini**  
Art.No: 92159

Battery: 3.0 V Lithium CR2032 (inclusive)  
Dimensions: 57 x 35 x 7 mm  
Material color: -



**Wire basket BSK (Ø 200 x 90 mm)**  
Art.No: 92199

Dimensions: Ø 200 x 90 mm  
Impact strength: IK09  
Housing: coated steel basket



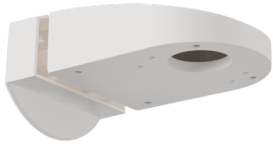
**SM socket IP54 for PD2- / PD4-SM**  
Art.No: 92161

Dimensions: Ø 100 x 15 mm  
Degree / class of protection: IP54  
Housing: polycarbonate, UV-resistant



**Surface mounting socket IP65 for PD4-SM IP20**  
Art.No: 92375

Dimensions: Ø 115 x 70 mm  
Degree / class of protection: IP65  
Impact strength: IK07



**Wall holder PD4-SM**

Art.No: 92441

Dimensions: 130 x 100 x 53 mm  
Housing: polycarbonate, UV-resistant  
Material color: white



**Blinds PD4**

Art.No: 92313

Housing: Housing UV- and shockresistant Polycarbonate  
Material color: transparent



**Pendulum mounting set PD2/3/4 SM**

Art.No: 93179

Dimensions: 1 : Ø 113 x 79 mm, 2 : Ø 113 x 34 mm  
Housing: polycarbonate, UV-resistant  
Material color: white, similar to RAL9010